

Our base frame **TQ** is designed for the fast and flexible assembly of tables.

The maximum load is 3500 N or 6000 N depending on the pump version. The max. height adjustment range is 400 mm.

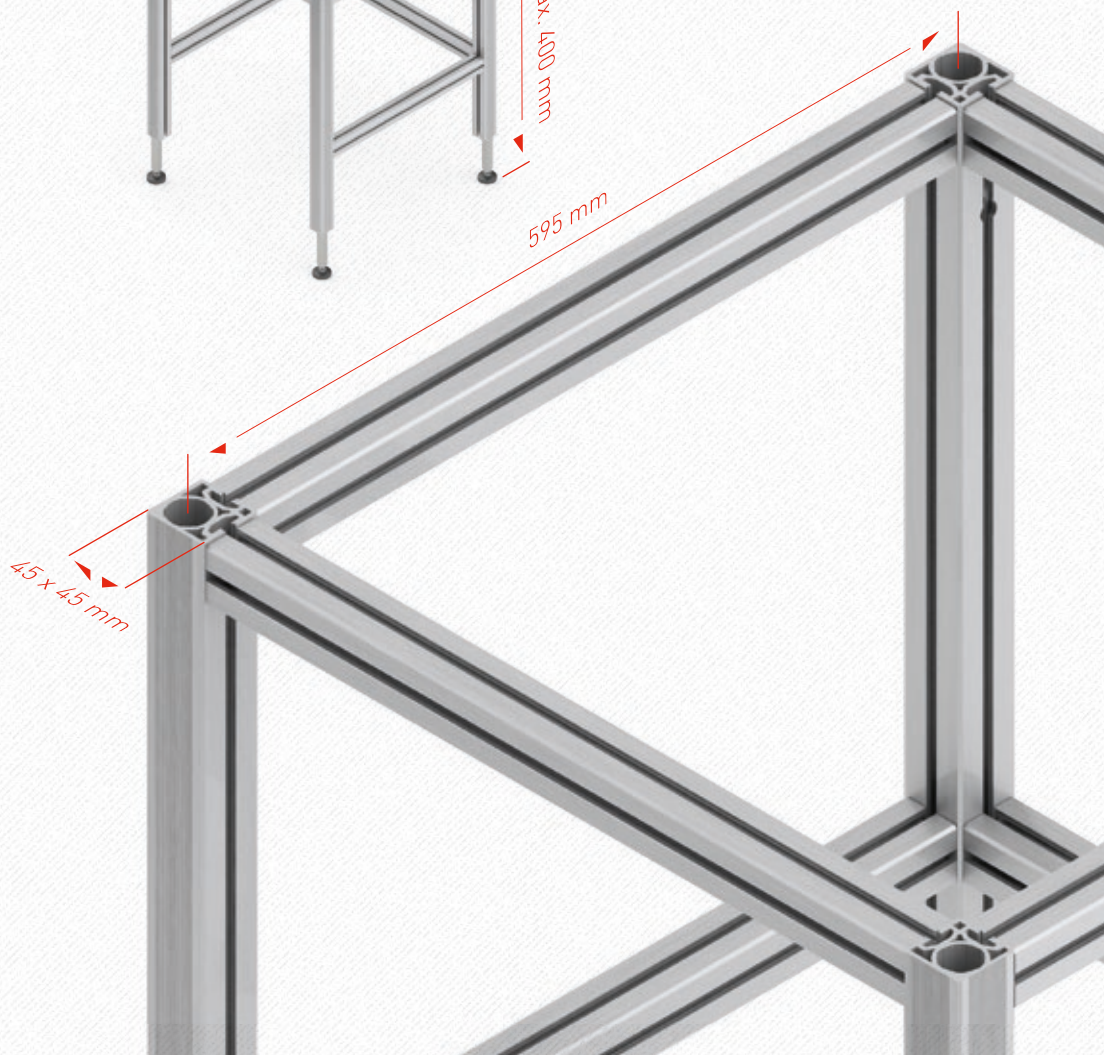
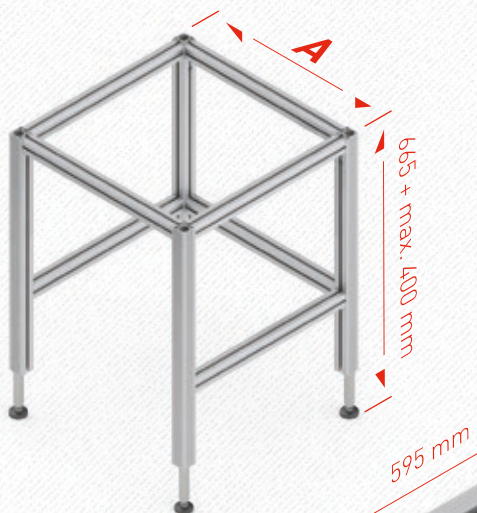
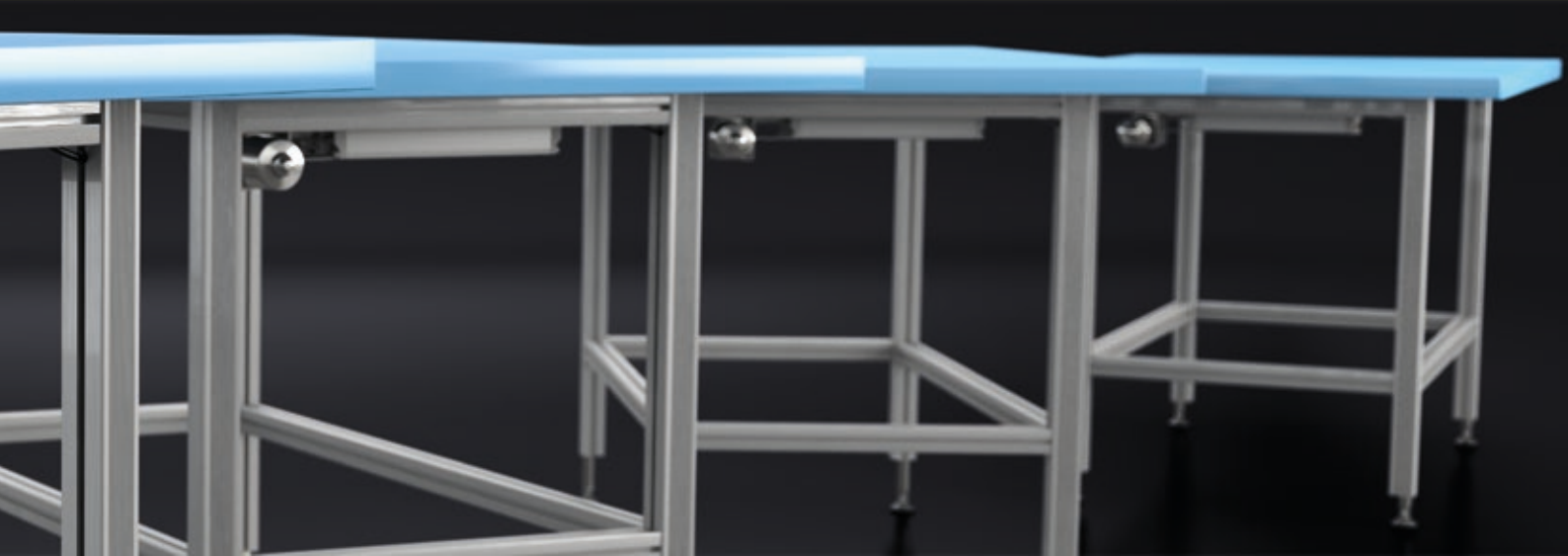
The **TQ-4** base frame consists of 4 legs and 7 crossbars. The crossbars slide easily into the grooves of the table legs and are fastened in place with an Allen key. Various brackets and screws to mount the table top are included with your order. The base frame is delivered unassembled.

Please note that a pump with hand crank or electric drive unit is also required.

Assembly and operating instructions are included with every delivery. They can also be downloaded from www.ergoswiss.com.



Dimensions of base frame **TQ**



Base frame **TQ-4**

	A
TQ-4 595	595 mm
TQ-4 995	995 mm
TQ-4 1195	1195 mm
TQ-4 1595	1595 mm

Detailed CAD drawings in various formats can be found at www.ergoswiss.com.